

# TUDOR COLLECTION

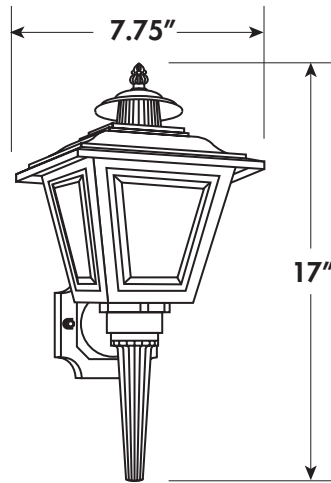
- WALL MOUNT DECORATIVE OUTDOOR FIXTURE
- AVAILABLE IN BLACK OR WHITE WITH CLEAR OR WHITE LENSES
- FLUORESCENT AND INCANDESCENT CONFIGURATIONS AVAILABLE
- PHOTOCELL AVAILABLE ON SELECT MODELS
- MOLDED OF DURABLE UV RESISTANT PLASTICS
- ASSEMBLED OR KNOCKED DOWN

## SPECIFICATIONS

- UL LISTED FOR WET LOCATIONS
- STANDARD PACK QTY: 6    MOQ: 72



**TUDOR WALL MOUNT**



EXTENDS 8"



EXAMPLE PART # **F7035PBWI**

STYLE #	WATTAGE	BODY	LENS	PACKAGING
<b>TUDOR WALL MOUNT</b>				
<b>F7031</b>	1-60W INCANDESCENT **	<b>B</b> = BLACK <b>W</b> = WHITE	<b>C</b> = CLEAR <b>W</b> = WHITE	<b>I</b> = INDIVIDUAL
<b>F7731</b>	1-60W INCANDESCENT W/PHOTOCELL **			
<b>F4035</b>	1-CFT13W MAGNETIC FLUORESCENT			
<b>F7035E</b>	1-CFQ13W ELECTRONIC FLUORESCENT			
<b>F7035P*</b>	1-CFQ13W ELECTRONIC FLUORESCENT W/PHOTOCELL			
<b>F7031E</b>	1-CFQ18W ELECTRONIC FLUORESCENT			
<b>F7031P*</b>	1-CFQ18W ELECTRONIC FLUORESCENT W/PHOTOCELL			

\* ENERGY STAR COMPLIANT

\*\* EXPLODED VIEW AVAILABLE ON CD

For more information regarding Inter-Global's Assembled Fixtures  
Please contact our sales department at **1-800-325-7364** or visit [www.interglobal-inc.com](http://www.interglobal-inc.com)

Specifications subject to change without notice. Printed in U.S.A. © 2010 Inter-Global Inc.

