



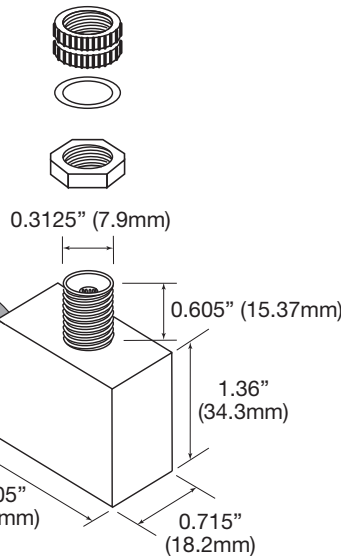
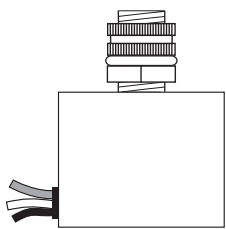
## DUSK TO DAWN SWITCH

- Switches Light On At Night, Off During Day
- Constructed of Durable Plastic
- Nuts & Washer Included
- Standard Pack Qty: 250

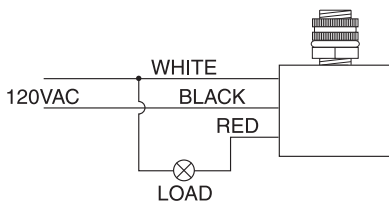


### SPECIFICATIONS

- Input Voltage: 120VAC; 60Hz
- Maximum Output: 300W Incandescent, 39W LED & Fluorescent
- Optional Swivel Hood Eliminates Strobing (O3-003 sold separately)
- Suitable for Use With Magnetic and Electronic Ballast
- Electronic Circuit with Mechanical Switching Relay
- 14" Lead Length
- UR CUR Recognized

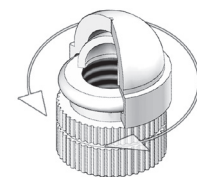


### WIRING DIAGRAM

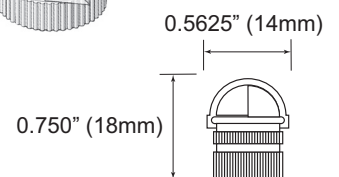


### SWIVEL HOOD

- Fully adjustable 2 piece cover helps to eliminate strobing caused by reflected light
- Fits PC-08 dusk to dawn switch
- Available in Black (O3-003) or White (O3-003WHT)
- Standard Pack Qty: 500



Rotates 360°



## EOS SURGE PROTECTION

- Supplementary MOV Ground Surge Protector
- Use With EOS LED Products in Outdoor Applications
- Transient voltage protection: 4.0Kv (32 joules)@140VAC: L-L,L-N,L-G