

# EUROSTYLE COLLECTION

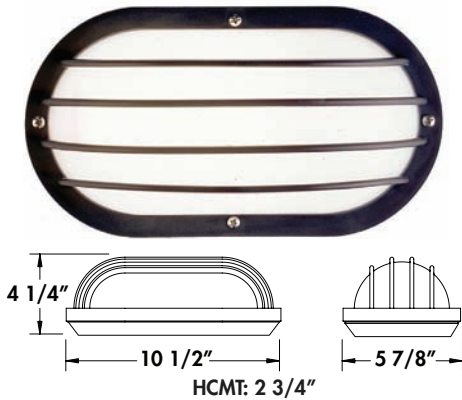
- WALL MOUNT
- PHOTOCELL AVAILABLE ON SELECT MODELS
- MOLDED OF DURABLE NON-CORROSIVE UV RESISTANT PLASTICS
- ASSEMBLED OR KNOCKED DOWN

## SPECIFICATIONS

- UL LISTED FOR WET LOCATIONS
- INCANDESCENT MODELS 120V; FLUORESCENT MODELS 120V NPF
- POLYCARBONATE DIFFUSER & BASE  
(COMMERCIAL MODELS USE POWDERCOATED ALUMINUM BASE)
- STANDARD PACK QTY: 6    MOQ: 72



### EUROSTYLE OVAL GRILL



POLYCARBONATE BACK PAN



### COMMERCIAL GRADE EUROSTYLE OVAL GRILL



ALUMINUM BACK PAN

EXAMPLE # **FE102-I60-BF**

STYLE #	WATTAGE	BODY	DIFFUSER	OPTION
<b>EUROSTYLE OVAL GRILL</b>				
<b>FE102</b>	<b>I60</b> = 1-60W MEDIUM BASE INCANDESCENT LAMP ◊ <b>M9</b> = 1-CFT9W/GX23 LAMPS (MAGNETIC) ◊ <b>M13</b> = 1-CFT13W/GX23 LAMPS (MAGNETIC) <b>G13</b> = 1-13W GU-24 LAMP (ELECTRONIC) <b>G18</b> = 1-18W GU-24 LAMP (ELECTRONIC) <b>G23</b> = 1-23W GU-24 LAMP (ELECTRONIC) <b>G26</b> = 1-26W GU-24 LAMP (ELECTRONIC) <b>E13</b> = 1-CFQ13W/G24q-1 LAMPS (ELECTRONIC) <b>E18</b> = 1-CFQ18W/G24q-1 LAMPS (ELECTRONIC)	<b>B</b> = BLACK <b>W</b> = WHITE	<b>F</b> = FROSTED	
<b>COMMERCIAL GRADE EUROSTYLE OVAL GRILL</b>				
<b>FE112</b>	<b>M13</b> = 1-CFT13W/GX23 LAMPS (MAGNETIC) <b>M213</b> = 2-CFT13W/GX23 LAMPS (MAGNETIC) <b>G13</b> = 1-13W GU-24 LAMP (ELECTRONIC) * <b>G213</b> = 2-13W GU-24 LAMPS (ELECTRONIC) * <b>G18</b> = 1-18W GU-24 LAMP (ELECTRONIC) * <b>G23</b> = 1-23W GU-24 LAMP (ELECTRONIC) * <b>G26</b> = 1-26W GU-24 LAMP (ELECTRONIC) * <b>E13</b> = 1-CFQ13W/G24q-1 LAMP (ELECTRONIC) * <b>E213</b> = 2-CFQ13W/G24q-1 LAMPS (ELECTRONIC) * <b>E18</b> = 1-CFQ18W/G24q-1 LAMP (ELECTRONIC) * <b>E218</b> = 2-CFQ18W/G24q-1 LAMPS (ELECTRONIC) * <b>E26</b> = 1-CFQ26W/G24 LAMP (ELECTRONIC) * <b>E32</b> = CFTR32W/GX24q LAMP (ELECTRONIC) *	<b>B</b> = BLACK <b>W</b> = WHITE	<b>F</b> = FROSTED	<b>P</b> = PHOTOCELL

\* ENERGY STAR COMPLIANT WHEN ORDERED WITH PHOTOCELL OPTION

◊ EXPLODED VIEW AVAILABLE ON CD

For more information regarding Inter-Global's Assembled Fixtures and Private Labeling please contact our sales department at **1-800-325-7364** or visit [www.interglobal-inc.com](http://www.interglobal-inc.com)

Specifications subject to change without notice. Printed in U.S.A. © 2011 Inter-Global Inc.

