

GIAVANI SERIES

- AVAILABLE WITH BRUSHED NICKEL OR BRONZE DIFFUSER HOLDERS
- PRE-WIRED, NO ASSEMBLY REQUIRED

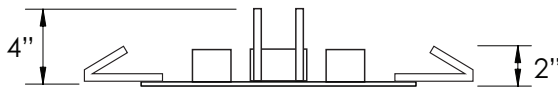
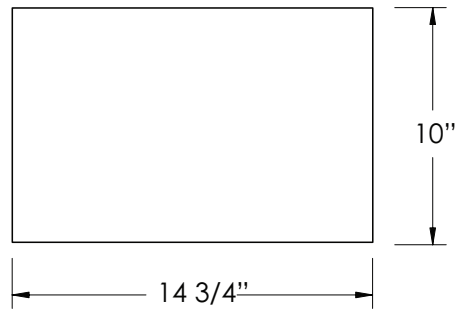
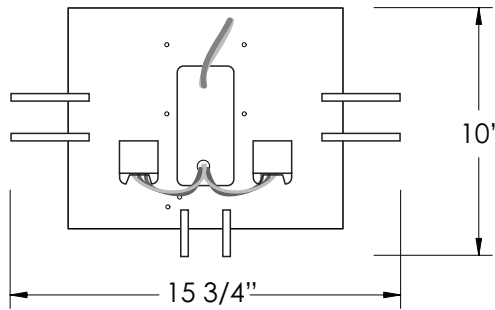
SPECIFICATIONS

- UL LISTED FOR DAMP LOCATIONS
- INCANDESCENT MODELS 120V; FLUORESCENT MODELS 120V NPF
- FROSTED GLASS DIFFUSER
- WHITE POWDER COATED FINISH PAN
- STANDARD PACK QTY: 4 MOQ: 500 LEAD TIME: 90-120 DAYS



BRUSHED NICKEL

BRONZE



HCMT: 6 1/2"

EXAMPLE # **FWSBN-160I**

STYLE #	WATTAGE
FWSBN = BRUSHED NICKEL	I60 = 1-60W MEDIUM BASE INCANDESCENT FROSTED GLASS WALL SCNCE FIXTURE
FWSBR = BRONZE	E213 = 2-CFQ13W/G24q ELECTRONIC FLUORESCENT FROSTED GLASS WALL SCNCE FIXTURE *
	E226 = 2-CFQ26W/G24q ELECTRONIC FLUORESCENT FROSTED GLASS WALL SCNCE FIXTURE *
	G13 = 1-13W GU-24 LAMP INCLUDED (ELECTRONIC) *
	G213 = 2-13W GU-24 LAMP INCLUDED (ELECTRONIC) *

* ENERGY STAR COMPLIANT

AVAILABLE AS SPECIAL ORDER

For more information regarding Inter-Global's Assembled Fixtures and Private Labeling please contact our sales department at **1-800-325-7364** or visit www.interglobal-inc.com

Specifications subject to change without notice. Printed in U.S.A. © 2011 Inter-Global Inc.

