



EOS LED RETROFIT KITS

- UL 1598 Classified Retrofit Kit
- AC Driver-On-Board Technology
- Data Per NVLAP Accredited Laboratory
- TRIAC Dimmable To 5% (forward & reverse phase)
- Energy Star CSD
- 5 Year Warranty



RoHS
compliant



install video

SPECIFICATIONS

- Input Voltage: 120VAC; 50/60Hz
- 13W, 14W & 23W Models
- Available in 3000K or 4000K
- Constant current design
- High power factor > 0.98
- Estimated 50,000 hrs L70
- Max Lens Temp. (Tc): 80°C (see below for Tc location)
- Optical grade polycarbonate lens
- Standard mounting options for easy install with optional hardware
- Integrated powdercoated aluminum heat sink with ground wire
- On board line surge protection
- Optional MOV ground surge protection
- 12" 18 AWG Leads
- UL 1598 Classified
- FCC compliance Class B

Full specifications available on cut sheets

POWER OPTIONS @ 80CRI

13W EOS RETROFIT

910lm, 3000K = 70lm/W
1000lm, 4000K = 76lm/W

14W EOS RETROFIT

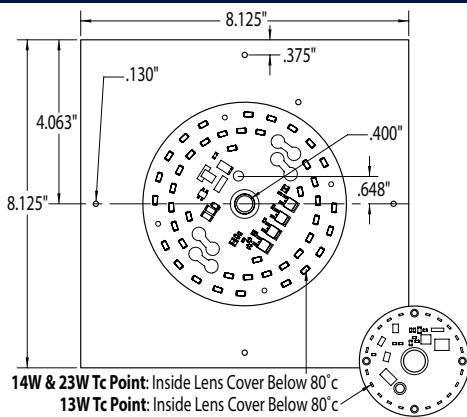
1350lm, 3000K = 96lm/W
1400lm, 4000K = 100lm/W

23W EOS RETROFIT

1850lm, 3000K = 80lm/W
1900lm, 4000K = 82lm/W

90CRI models special order

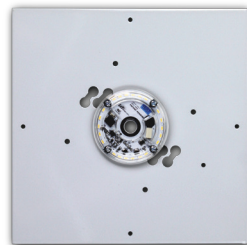
EOS Retrofit Kits available in component form. Contact Inter-Global for more information.



14W & 23W Tc Point: Inside Lens Cover Below 80°C
13W Tc Point: Inside Lens Cover Below 80°C

OPTIONAL HARDWARE PART # 10-270

Hardware Includes 4ea. 6-32 X 1/2" Screws & 8ea. Nuts w/Lock
HARDWARE SOLD SEPARATELY - SEE PAGE 9



SLO8-AC120R-W-M804PL
13W, 910LM, 3000K



SL12-AC120R-W-M804PL
14W, 1350LM, 3000K



SL18-AC120R-W-M804PL
23W, 1850LM, 3000K

SLO8-AC120R-C-M804PL
13W, 1000LM, 4000K

SL12-AC120R-C-M804PL
14W, 1400LM, 4000K

SL18-AC120R-C-M804PL
23W, 1900LM, 4000K

PART NUMBER GUIDE

SL08 - AC120R - W - M804PL - M

SL08 13W
SL12 14W
SL18 23W

AC120R INPUT VOLTAGE

W 3000K
C 4000K

M804PL HEAT SINK #

M MOV SURGE PROTECTION

OPTIONAL

For more information contact our sales department at 1-800-325-7364 or visit www.interglobal-inc.com