

EOS LED RETROFIT KITS



- UL 1598 Classified Retrofit Kit
- AC Driver-On-Board Technology
- Data Per NVLAP Accredited Laboratory
- TRIAC Dimmable To 5% (forward & reverse phase)
- Energy Star CSD
- 5 Year Warranty



RoHS compliant



install video

SPECIFICATIONS

- Input Voltage: 120VAC; 50/60Hz
- 13W Models
- Available in 3000K or 4000K
- Constant current design
- High power factor > 0.98
- Estimated 50,000 hrs L70
- Max Lens Temp. (Tc): 80°C (see below for Tc location)
- Optical grade polycarbonate lens
- Standard mounting options for easy install with optional hardware
- Integrated powdercoated aluminum heat sink with ground wire
- On board line surge protection
- Optional MOV ground surge protection
- 12" 18 AWG Leads
- UL 1598 Classified
- FCC compliance Class B

Full specifications available on cut sheets

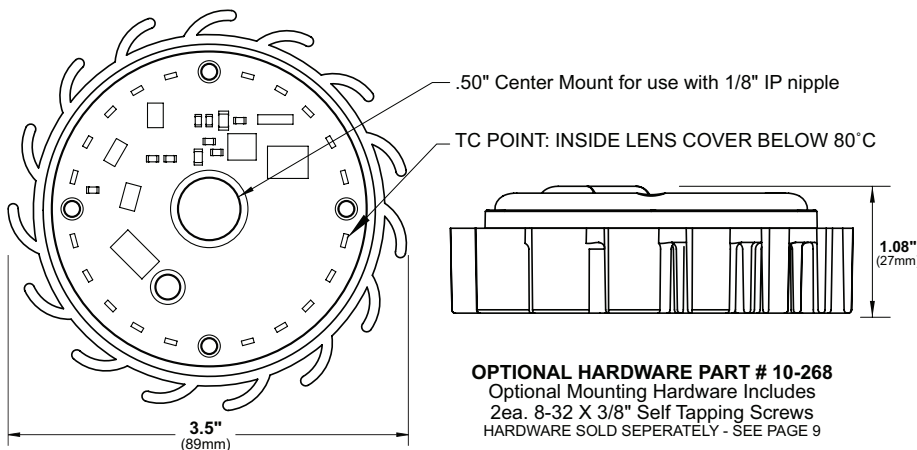
POWER OPTIONS @ 80CRI

13W EOS RETROFIT

910lm, 3000K = 70lm/W
1000lm, 4000K = 76lm/W

90CRI models special order

EOS Retrofit Kits available in component form. Contact Inter-Global for more information.



SL08-AC120R-W
13W, 910LM, 3000K

SL08-AC120R-C
13W, 1000LM, 4000K

PART NUMBER GUIDE

SL08 - AC120R - W - M

SL08 13W

AC120R INPUT VOLTAGE

W 3000K
C 4000K

OPTIONAL

M MOV SURGE PROTECTION