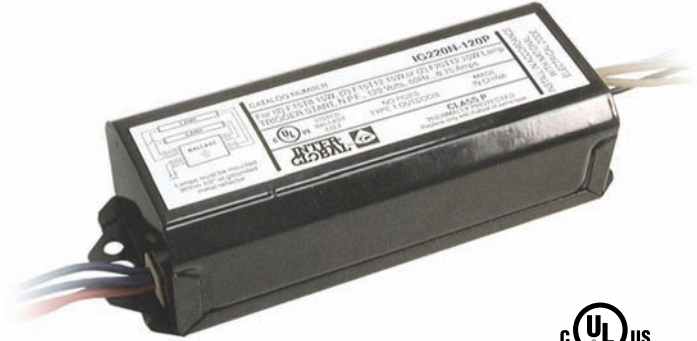


LINEAR FLUORESCENT BALLAST

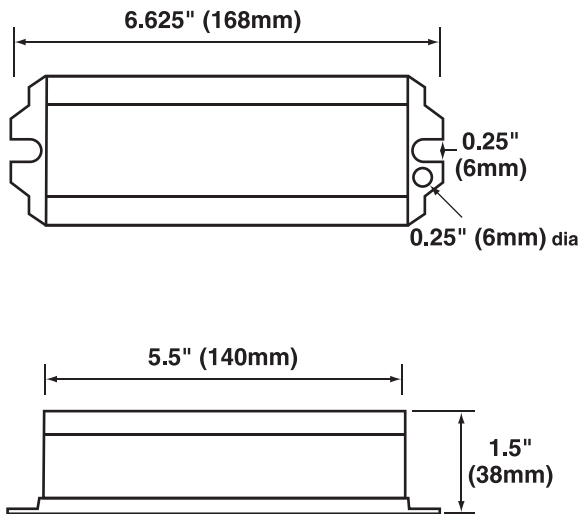
IG220N-120P 2 Lamp Ballast

- Automatic reset able thermal disconnect
- Standard leads 105°C 18AWG wire (customer specified lengths)
- Normal Power Factor
- Suitable for (2) F15T8 15W, (2) F15T12 15W, or (2) F20T12 20W lamps
- Magnetic Ballast Warranty Info in back of this section

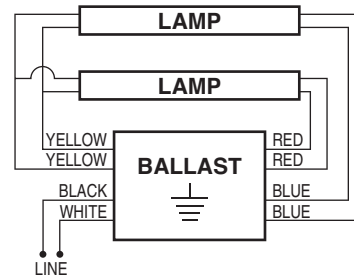
UL and CUL listed



DIMENSIONS



WIRING DIAGRAM



Lamps must be mounted
Within 1/2" of grounded
metal reflector

Catalog Number	Circuit Volts	Input Wattage	Type Number	Power Factor	Ballast Factor	Input Current	Sound Rating	Min. Start Temp
IG220N-120P	120	36	MAG.	N	.70	.75	A	50°F