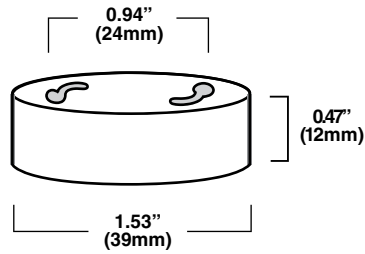


GU24 BASE LAMPHOLDERS

Series GU GU24 Lampholder

- Molded white phenolic GU24 base socket with threaded male, threaded female or rivet type brackets.
- Standard leads are 12" long, AWM 18 gauge 105° plastic insulated wire.
- Custom lead lengths and 150° C sleeving available upon request.*
- Custom lead configurations available upon request.*
- Ground wire available upon request.*
- Bracket types available are listed on pages B2-B5.
- Standard packed 400 to a carton.



UL CUL Listed, Suitable for Damp Locations 660W, 600V

*additional charges apply

BRACKET TYPES FOR GU24 LAMPHOLDERS

Part Number	Dimensions	Photo
◊GU261		
◊GU27F		
◊GU28C		
GU28D		

◊Non-stocked, Special Order, Call for details

INTER-GLOBAL - 1.800.325.7364 - WWW.INTERGLOBAL-INC.COM

ver: 1102.1

BRACKET TYPES FOR GU24 LAMPHOLDERS

Part Number	Dimensions	Photo
◇GU28K		
GU28KS		
◇GU28KN		
GU36C		
◇GU36D		
◇GU37F		

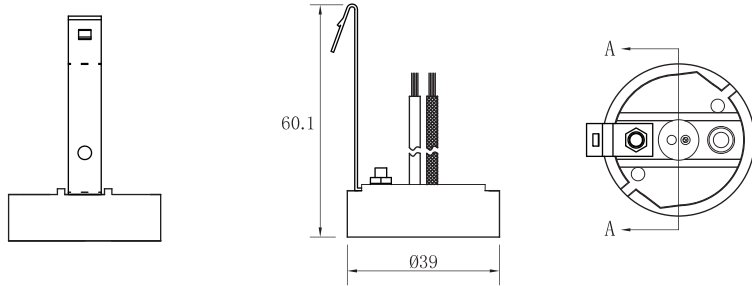
BRACKET TYPES FOR GU24 LAMPHOLDERS

Part Number

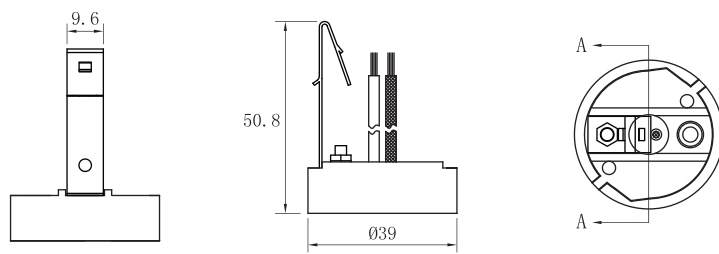
Dimensions

Photo

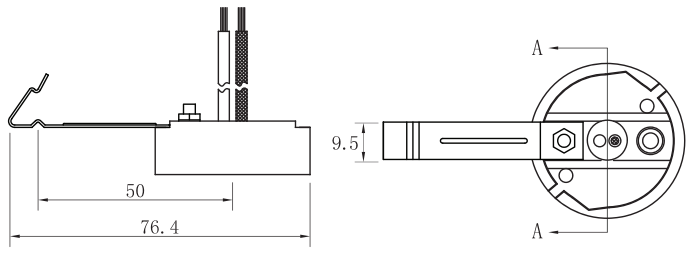
GU46G



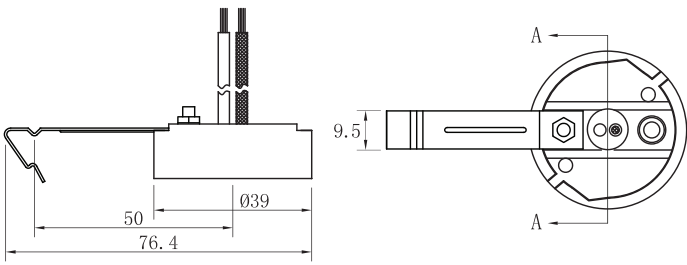
GU51H



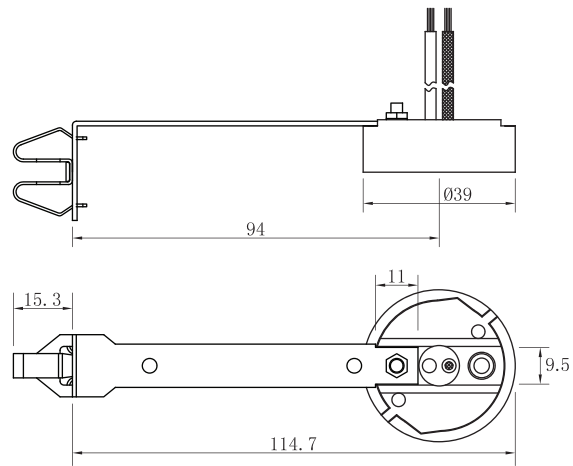
◊ GU56C



◊ GU56D



◊ GU94L



◊ Non-stocked, Special Order, Call for details

INTER-GLOBAL - 1.800.325.7364 - WWW.INTERGLOBAL-INC.COM

ver: 1102.1

BRACKET TYPES FOR GU24 LAMPHOLDERS

Part Number	Dimensions	Photo
GU101M		
GU201A		
GU205A		
◇GU305A		