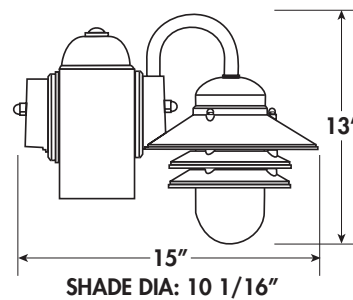


- Available in LED, Incandescent & GU24
- Molded of Durable Non-Corrosive UV Resistant Resins
- Fits Most 3" Diameter Posts
- UL Listed for Wet Locations
- Standard Pack QTY: 1

NAUTICAL



FN251



RoHS compliant

EXAMPLE # FN251-160-BW-PLWE

STYLE #	LIGHT SOURCE	BODY	DIFFUSER	OPTIONS
FN251	<p>EOS LED 120V AC, 50/60 Hz, HPF, 50,000 HRS L70*, AMBIENT OP TEMP -40°C TO +40°C, 5 YEAR WARRANTY, DIMMABLE</p> <p>LE800 - 13W Power Input W-900lm 3000K CRI 80 (TYP) C-1000lm 4000K >65 Lumens Per Watt**</p>	<p>W-White B- Black</p>	<p>ACRYLIC C-Clear Prism W-White</p>	<p>P-Photocell</p>
	<p>MULTI-VOLT LED 120-277V, 50/60 Hz, CONSTANT CURRENT AT 700mA, DRIVER UL CLASS 2, HPF, THERMALLY PROTECTED ARRAY, 50,000 HRS L70*, AMBIENT OP TEMP -40°C TO +40°C, 3 YEAR WARRANTY</p> <p>L900 - 11.3W Power Input C-912lm 4000K CRI 74 (TYP) >80 Lumens Per Watt**</p>	<p>W-White B- Black</p>	<p>ACRYLIC W-White</p>	<p>P-Photocell</p>
	<p>INCANDESCENT, MEDIUM BASE, 120V 160-1 X 60W</p>	<p>W-White B- Black</p>	<p>POLYCARBONATE C-Clear Prism W-White</p>	<p>P-Photocell LED LAMP, 3 YEAR WARRANTY, DIMMABLE LWE-A19/E26, 2700K LCE-A19/E26, 4000K</p>
	<p>GU24 BASE, 120V G13-1 X 13W G18-1 X 18W G23-1 X 23W</p>	<p>W-White B- Black</p>	<p>ACRYLIC C-Clear Prism W-White</p>	<p>L-CFL, 2700K</p>

*DATA PER LM79/LM80/TM21 AVAILABLE UPON REQUEST

**ESTIMATED FROM LED SOURCE

Fixtures available with custom packaging options, assembled or knocked down. MOQs apply.

For more information contact our sales department at 1-800-325-7364 or visit www.interglobal-inc.com